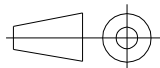
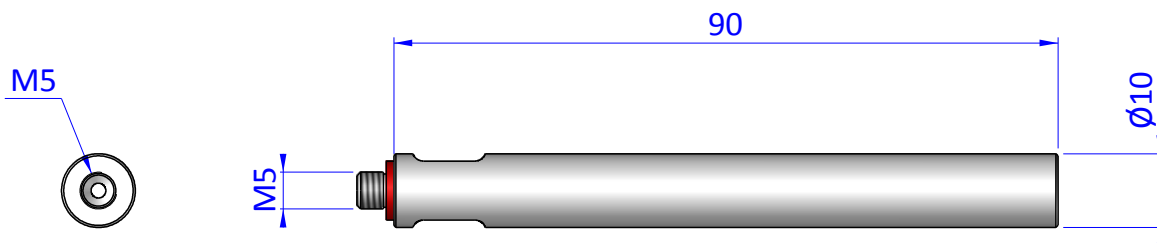
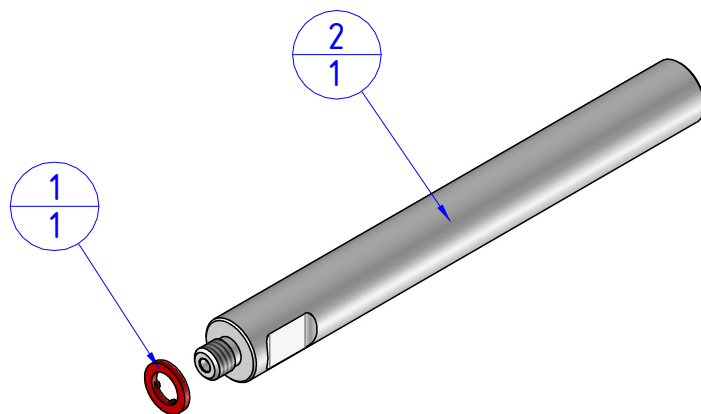


THE PROPERTY OF THE DRAWING IS ESTABLISHED BY LAW. IT IS FORBIDDEN TO PRODUCE OR SHOW IT TO THIRD PART. WITHOUT A WRITTEN AGREEMENT.

Item	Name	Qty.
1	CA.08.09.05	1
2	GSEG.100590	1



Format A4  
UNI 936-76

GENERAL TOLERANCE  
UNI - ISO 2768  
CLASSE f

DESCRIPTION  
CA.GSEG.100590

DESIGNED FROM <b>FPSERVICES</b>	REVIEW <b>A</b>
DATE 26/02/2019	WEIGHT 0,016kg
CODE <b>CA.GSEG.100590</b>	